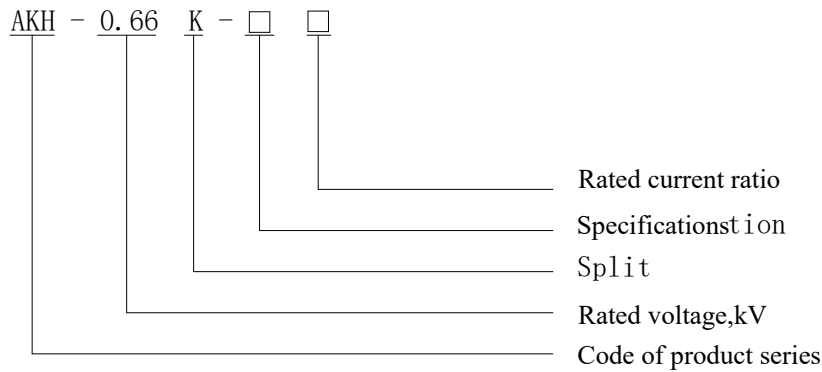


## AKH-0.66/K-Φ split current transformer

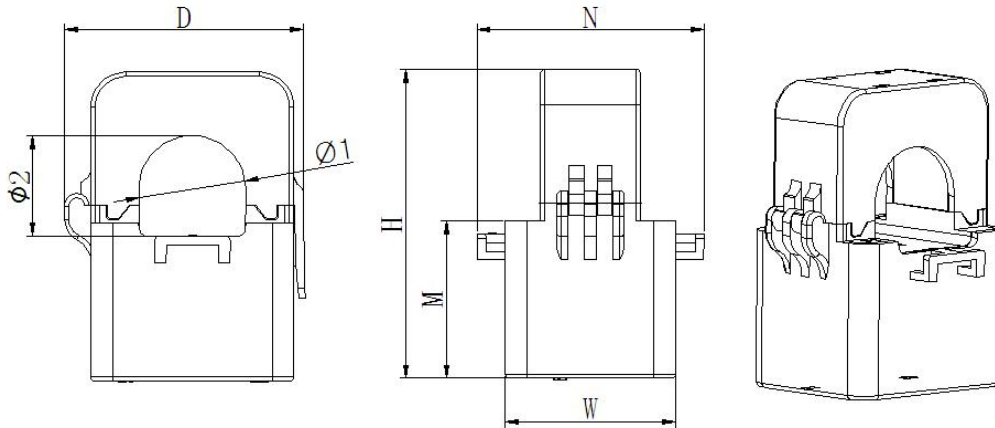
### 1. Product feature

The product has beautiful appearance, convenient installation and wiring, and is mainly used for power operation and maintenance and electricity transformation projects. The general output is AC 5A standard signal, which has the advantages of small size, high precision, strong load capacity and convenient installation. Save manpower, material and financial resources and improve efficiency for user transformation projects.

### 2. Explanation for type



### 3. Spec. and size



Note: The transformers' secondary outlet wire is RV lead, whose standard length is 1m(±10cm error allowed)

Type	Outline Size (mm)					Hole Size (mm)		Tolerance (mm)
	W	H	D	M	N	Φ1	Φ2	
K-Φ24	39	71	46	36	52	24	23.5	±1
K-Φ36	42.5	82	58	40	56	33.5	35	
K-Φ50	46.5	110	90	54	66.5	47	52	

#### 4. Cross-reference tables of spec. -parameter

type	Ratio(A)	Precision degree and corresponding rated load (VA)		circle	Hole Size (mm)	voltage
		Class 0.5	Class 1			
K-Φ 24	(150-200) /5		1	1	Φ 24	3kV
	(250-300) /5		1.5			
K-Φ 36	(300-400) /5		1.5			
	(500-600) /5	1.5				
K-Φ 50	500A/5 (1) A	1.5		1	Φ 50	
	(600-700) A/5 (1) A	2.5		1		
	(800-900) A/5 (1) A	5		1		
	1000A/5 (1) A	10		1		



#### 5. Installation

